

1, General information

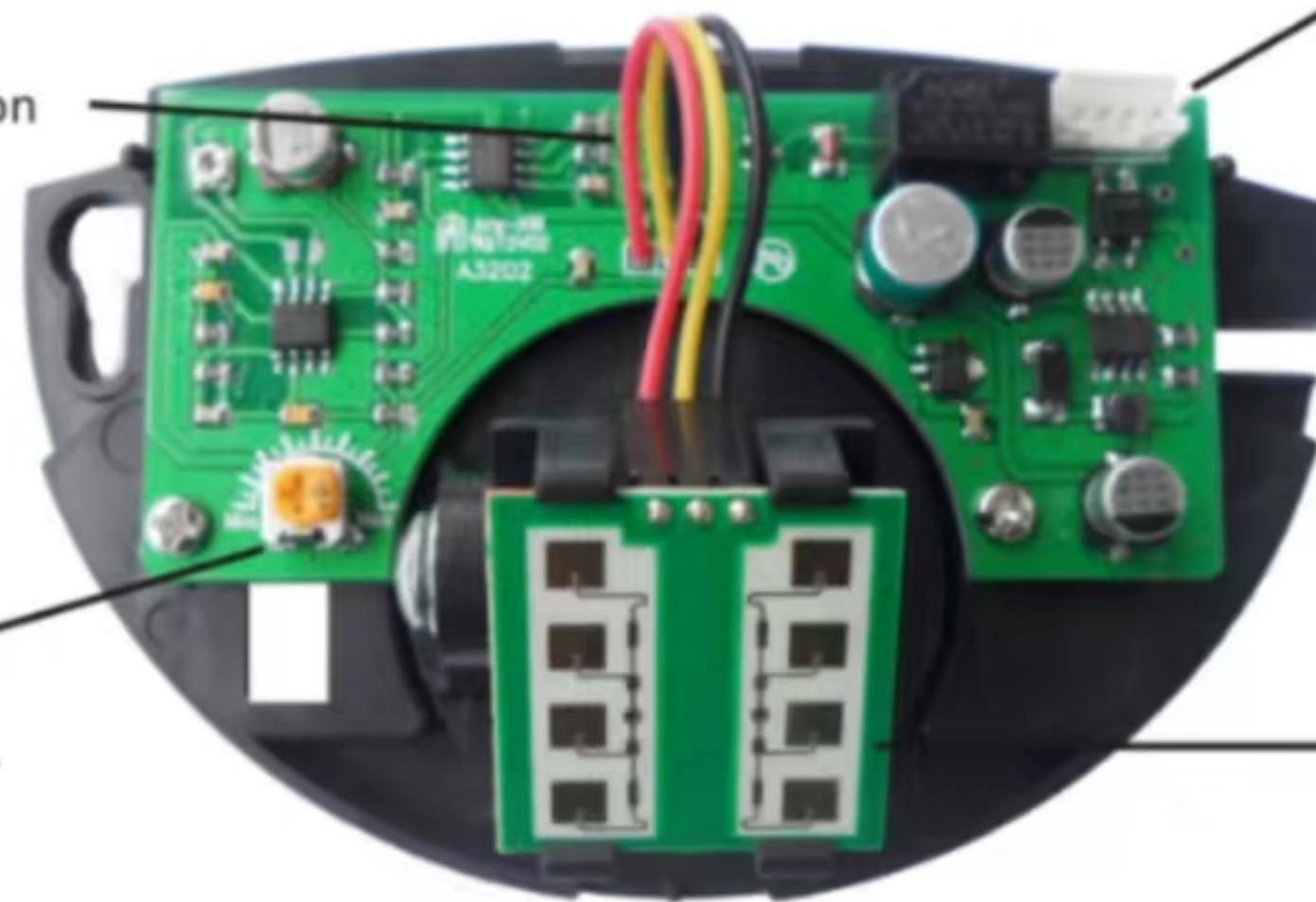
LED

- flashes after power-on
- lights up during detection

JST-connector

Brown	Power supply
Green	
white	Relay(COM)
Yellow	Relay(NO)

Sensitivity potentiometer

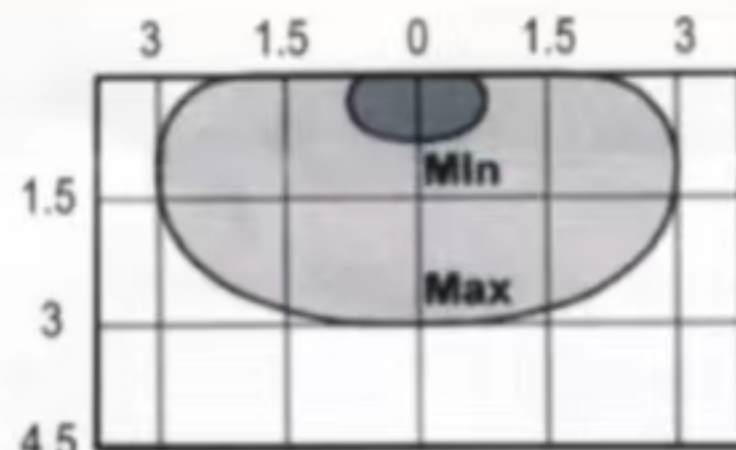
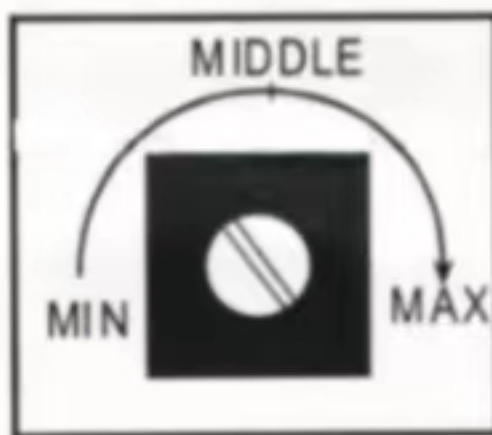


Planar antenna for wide detection field

2, Adjustments

1

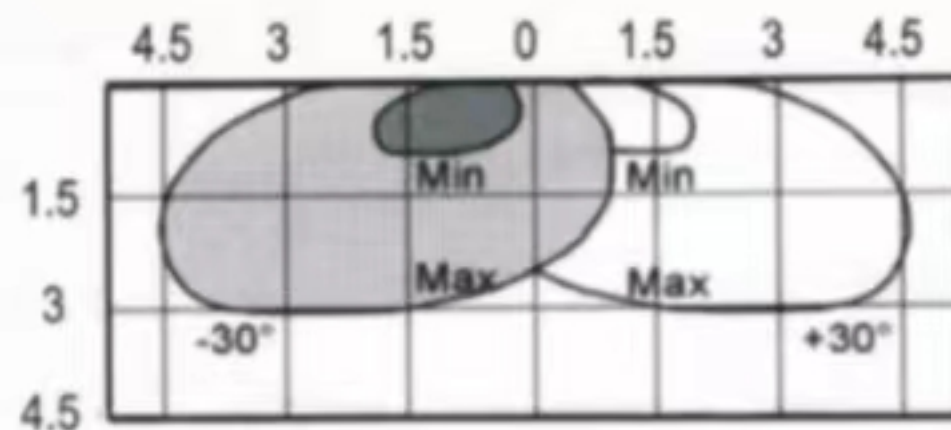
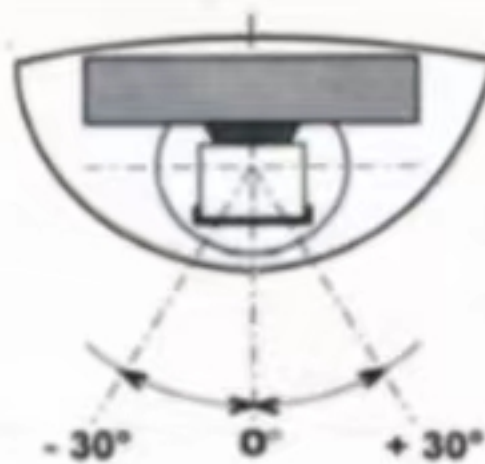
The sensitivity settings determine the size of the sensing field



vertical angle:30,mounting height:2.2m

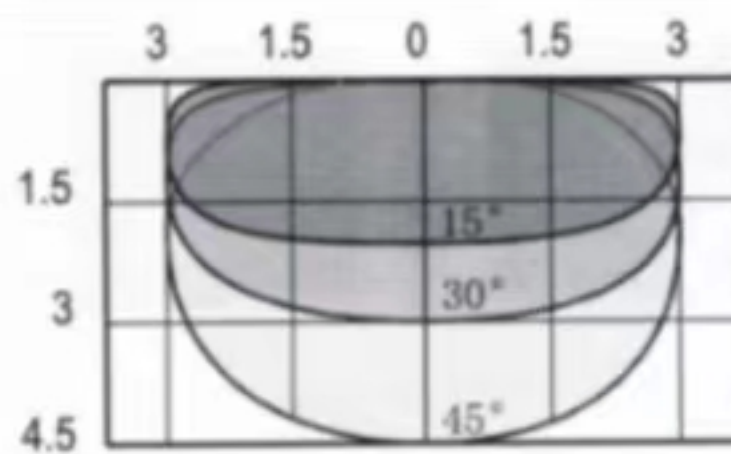
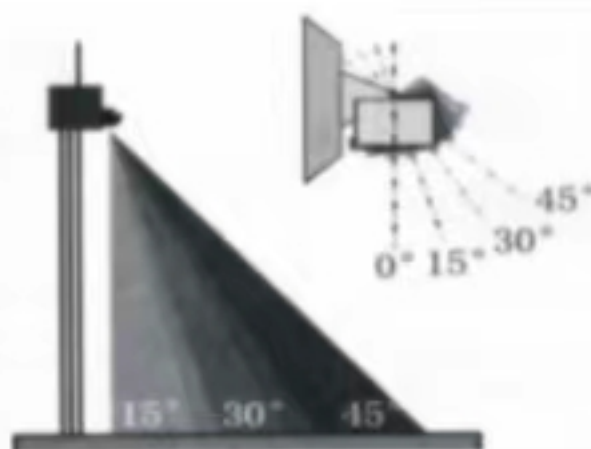
2

The lateral angle of the planar antenna determines the position of the sensing field









3

The vertical angle of the planar antenna determines the depth of the sensing field



sensitivity:maximum

3、Installation tips

					
Avoid vibrations	DO not cover the sensor	Moving objects	Avoid proximity to neonlamps	Do not touch electrical parts	Sensitivity adjustment potentiometer please gently, slowly rotating

4、Troubleshooting

SYMPTOMS	PROBABLE CAUSES	CORRECTIVE ACTION
The door will not open and no red LED lights up.	The sensor power is off.	Check the wiring and the power supply.
The door opens and closes constantly	The sensor "sees" the door moving when the door creates vibrations picked up by the sensor.	Increase the tilt angle and/or reduce the sensitivity. Make sure that the sensor is correctly fixed. Switch to unidirectional mode(dip switch 1:ON). Increase the immunity(dip switch 4:ON). Reduce the sensitivity.
The door will not close. Red LED is OFF.	ON-OFF switch at door control is in wrong position or faulty. Improper output configuration.	Make sure that the ON-OFF switch for door is in the ON or AUTOMATIC position. Check the output configuration setting on each sensor connected to the door operator.
It rains and the sensor detects for no apparent reason.	The sensor detects the motion of the rain drops.	Use the ARB accessory. Switch to unidirectional mode and increase the immunity(dip switches 1&4:ON).

5、Technical specifications

Technology	microwave and microprocessor
Transmitter frequency	24.125GHz
Transmitter radiated power	<20 dBm EIRP
Transmitter power density	<5mW/cm
Maximum mounting height	3m
Tilt angles	0
Detection field(mounting height=2.2m)	4m(W)×2m(D)
Detection mode	motion
Minimum speed	5cm/s(measured in the sensor axis)
Supply voltage	12V to 24V AC/DC +30%/-10%
Mains frequency	50 to 60
Power consumption	<2W(VA)
Output relay(free of potential change-over contact)	
Max.contact voltage	42V AC-60VA(AC)
Max.contact current	1A(resistive)
Max.switching power	30W(DC)/60VA(AC)
Hold time	0.5s
Temperature range	-20℃ to +55℃
Degree of protection	Ip54
Norm Conformity	R&TTE 1999/5/EC:EMC 89/336/EEC
Material	ABS
Color of housing	black smoked,aluminium finish
Dimensions	120mm(W)×80mm(H)×50mm(D)
Weight	0.215kg
Length of cable	2.5m

6、Accessories(sold individually)

